

**PF - SPLIT BOLT CONNECTOR**

PF-10

**Description**

**Purpose:** Tap or splice (low traction) for COPPERSTEEL or copper cables. Suitable for copper to copper connection.

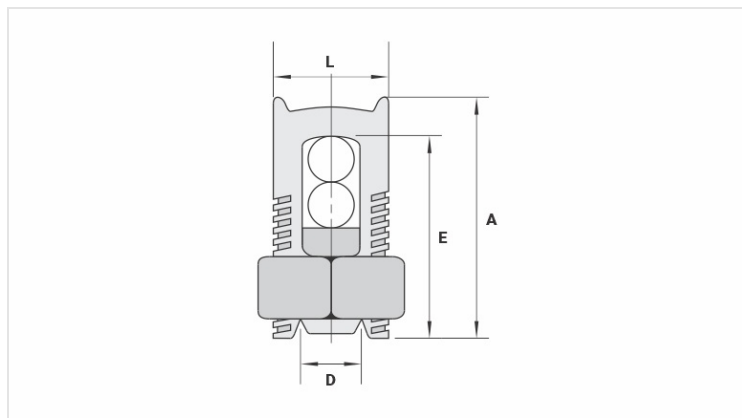
**Characteristics:** Tightening connection. High electrical conductivity and corrosion resistance.

**Application:** Power distribution network and grounding in general.

**Material:** Body in electrolytic copper. Nut and rider in copper alloy.

**Finish:** Tin plated.

**Application Tool:** Box, open-ended or monkey wrenches.



**Datasheet**

**Conductors**

Principal (mm<sup>2</sup>) 10

Derivação (mm<sup>2</sup>) 1,5 - 10

**Dimensions (mm)**

L 12,0

A 19,5

C 10,5

D 4,1

E 20,0

**Package**

Qtd / Emb 50

Peso Unit. (g) 15,90