

PF - SPLIT BOLT CONNECTOR

PF-16

Description

Purpose: Tap or splice (low traction) for COPPERSTEEL or copper cables. Suitable for copper to copper connection.

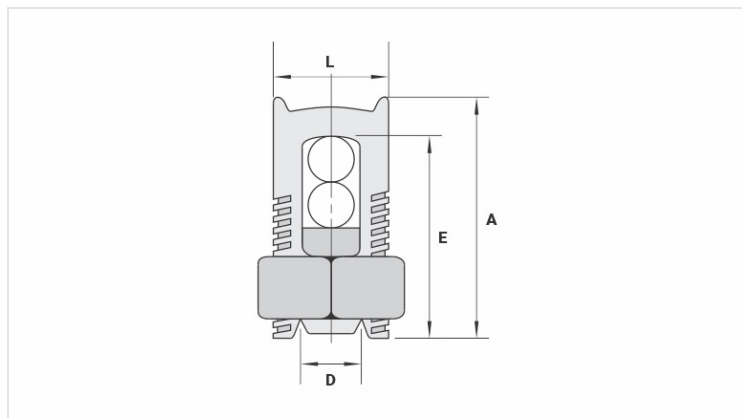
Characteristics: Tightening connection. High electrical conductivity and corrosion resistance.

Application: Power distribution network and grounding in general.

Material: Body in electrolytic copper. Nut and rider in copper alloy.

Finish: Tin plated.

Application Tool: Box, open-ended or monkey wrenches.



Datasheet

Conductors

Principal (mm²) 16

Derivação (mm²) 2,5 - 16

Dimensions (mm)

L 12,5

A 23,0

C 11,5

D 5,3

E 23,0

Package

Qtd / Emb 50

Peso Unit. (g) 27,50