

PF - SPLIT BOLT CONNECTOR

PF-70

Description

Purpose: Tap or splice (low traction) for COPPERSTEEL or copper cables. Suitable for copper to copper connection.

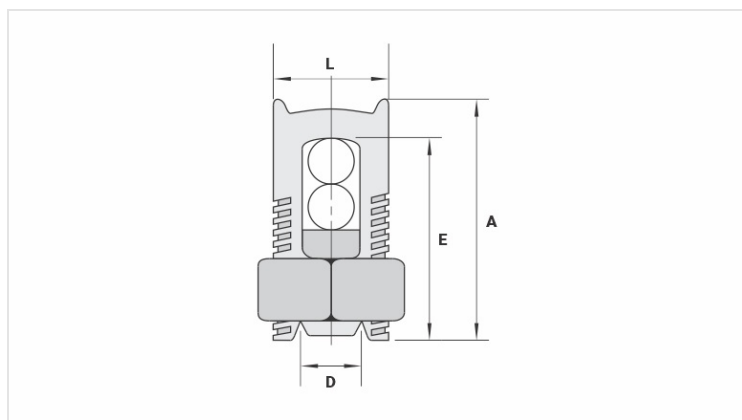
Characteristics: Tightening connection. High electrical conductivity and corrosion resistance.

Application: Power distribution network and grounding in general.

Material: Body in electrolytic copper. Nut and rider in copper alloy.

Finish: Tin plated.

Application Tool: Box, open-ended or monkey wrenches.



Datasheet

Conductors

| | |
|------------------------------|----------|
| Principal (mm ²) | 70 |
| Derivação (mm ²) | 2,5 - 70 |

Dimensions (mm)

| | |
|---|------|
| L | 22,0 |
| A | 39,0 |
| C | 20,5 |
| D | 10,7 |
| E | 39,0 |

Package

| | |
|----------------|-------|
| Qtd / Emb | 30 |
| Peso Unit. (g) | 85,60 |