

**PF - SPLIT BOLT CONNECTOR**

PF-120

**Description**

**Purpose:** Tap or splice (low traction) for COPPERSTEEL or copper cables. Suitable for copper to copper connection.

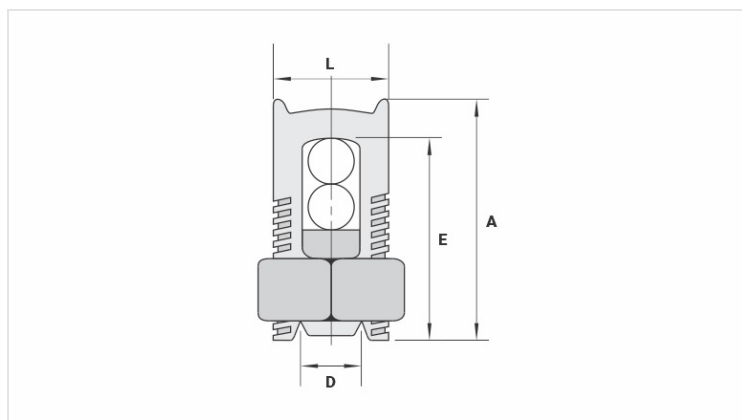
**Characteristics:** Tightening connection. High electrical conductivity and corrosion resistance.

**Application:** Power distribution network and grounding in general.

**Material:** Body in electrolytic copper. Nut and rider in copper alloy.

**Finish:** Tin plated.

**Application Tool:** Box, open-ended or monkey wrenches.



**Datasheet**

**Conductors**

Principal (mm <sup>2</sup> )	120
Derivação (mm <sup>2</sup> )	10 - 120

**Dimensions (mm)**

L	28,0
A	46,0
C	26,8
D	14,7
E	47,0

**Package**

Qtd / Emb	20
Peso Unit. (g)	138,60