

**PFB - BIMETALLIC SPLIT BOLT CONNECTOR WITH SPACER**

PFB-240

**Description**

**Purpose:** Tap or splice (low traction) for COPPERSTEEL, copper or aluminum cables. Suitable for copper to copper, copper to aluminum and aluminum to copper connections.

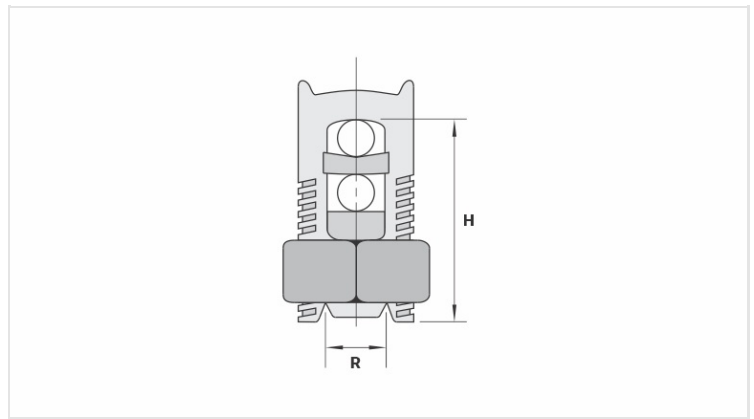
**Characteristics:** Tightening connection. High electrical conductivity and corrosion resistance. Allows bimetallic connection.

**Application:** Power distribution lines and grounding in general.

**Material:** Body in eletrolytic copper, nut, rider and spacer in copper alloy.

**Finish:** Tin plated.

**Application Tool:** Box open-ended or monkey wrenches.



**Datasheet**

**Conductors**

Principal (mm<sup>2</sup>) 240

Derivação (mm<sup>2</sup>) 95 - 240

**Dimensions (mm)**

L

A

C

D

E

**Package**

Qtd / Emb 6

Peso Unit. (g) 370,00