

PFT - TRANSVERSAL SPLIT BOLT CONNECTOR

PFT-70

Description

Purpose: Connection between COPPERSTEEL or copper cables to mini captors or steel rebar. Crossing connection for grounding grids.

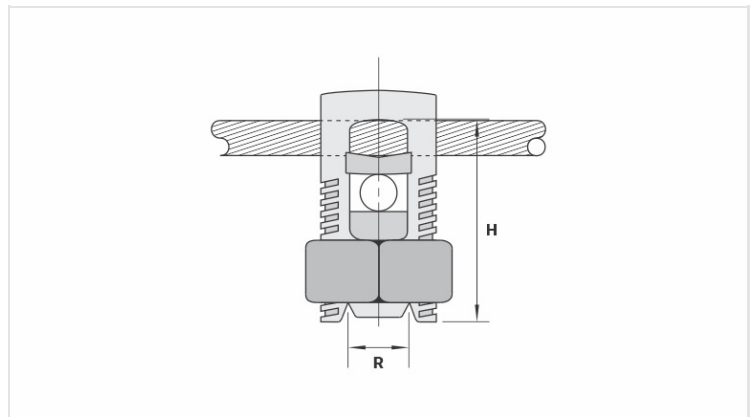
Characteristics: Tightening connection. High electrical conductivity and corrosion resistance. It allows bimetallic connection.

Application: Grounding systems in general and Lightning protection systems.

Material: Copper alloy.

Finish: Tin plated.

Application Tool: Box, open-ended or monkey wrenches.



Datasheet

Conductors

Principal (mm²) 16 - 70

Vergalhão de Aço (Pol.) 5/16" - 3/8"

Dimensions (mm)

L

A

C

D

E

Package

Qtd / Emb 30

Peso Unit. (g) 102,00