

**GTSB - GROUNDING CLAMP (1 CONDUCTOR)**

GTSB-4-2/0

**Description**

**Purpose:** Cable to busbar connections. Suitable for copper or COPPERSTEEL cables.

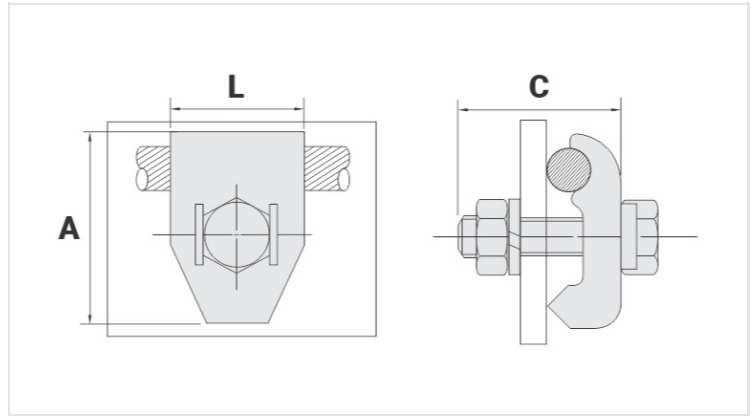
**Characteristics:** Tightening connection. Electrical conductivity and corrosion resistant. Single conductor version. Screw length suitable for plate / bar thickness up to 7mm.

**Application:** Grounding systems in general (power distribution systems, grounding grids, residential, building, industrial grounding, grounding in telecommunications networks).

**Material:** Bronze clamp, fittings in copper alloy or hot galvanized steel.

**Application Tool:** Spanner set or open-ended wrench.

\*Also available tin plated.



**Datasheet**

**Conductor**

AWG/MCM

4 - 2/0

mm<sup>2</sup>

16 - 70

**Dimensions (mm)**

L

27,0

A

40,0

C

45,0

Parafuso - E

M10

Figura

1

**Package**

Qtd / Emb

30

Peso Unit. (g)

129,00