

GTSB - GROUNDING CLAMP (1 CONDUCTOR)

GTSB-8-4

Description

Purpose: Cable to busbar connections. Suitable for copper or COPPERSTEEL cables.

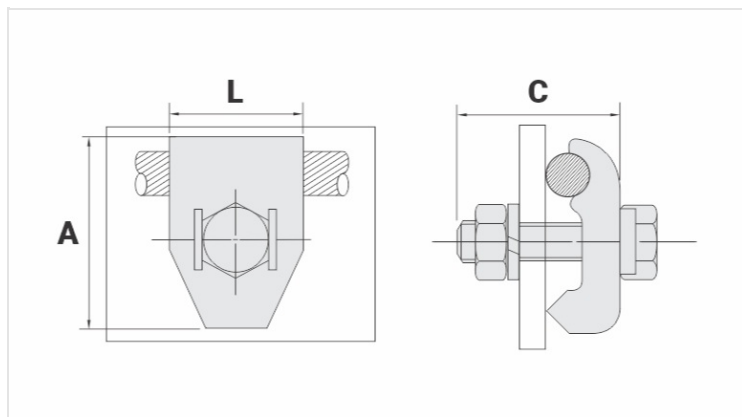
Characteristics: Tightening connection. Electrical conductivity and corrosion resistant. Single conductor version. Screw length suitable for plate / bar thickness up to 7mm.

Application: Grounding systems in general (power distribution systems, grounding grids, residential, building, industrial grounding, grounding in telecommunications networks).

Material: Bronze clamp, fittings in copper alloy or hot galvanized steel.

Application Tool: Spanner set or open-ended wrench.

*Also available tin plated.



Datasheet

Conductor

AWG/MCM	8 - 4
mm ²	10 - 25

Dimensions (mm)

L	27,0
A	33,0
C	45,0

Parafuso - E M10

Figura 1

Package

Qtd / Emb	40
Peso Unit. (g)	90,00