

GTSB2C - GROUNDING CLAMPS (2 CONDUCTORS)

GTSB2C-4-2/0

Description

Purpose: Cable to busbar connections. Suitable for copper or COPPERSTEEL cables.

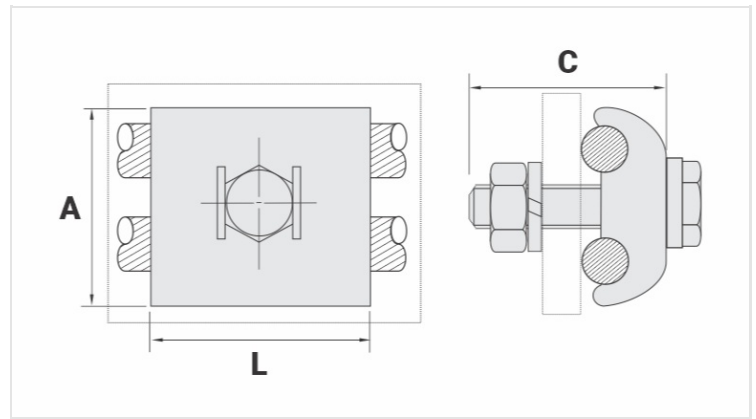
Characteristics: Tightening connection. Electrical conductivity and corrosion resistant. Two conductors model. Screw length suitable for plate / bar thickness up to 7mm.

Application: Grounding systems in general (power distribution systems, grounding grids, residential, building, industrial grounding, grounding in telecommunications networks).

Material: Bronze clamp, fittings in copper alloy or hot galvanized steel.

Application Tool: Spanner set or open-ended wrench.

*Also available tin plated.



Datasheet

Conductor

AWG/MCM

4 - 2/0

mm²

16 - 70

Dimensions (mm)

L

35,0

A

40,0

C

45,0

Parafuso - E

M10

Figura

2

Package

Qtd / Emb

30

Peso Unit. (g)

119,00