

GTSB2C - GROUNDING CLAMPS (2 CONDUCTORS)

GTSB2C-2/0-250

Description

Purpose: Cable to busbar connections. Suitable for copper or COPPERSTEEL cables.

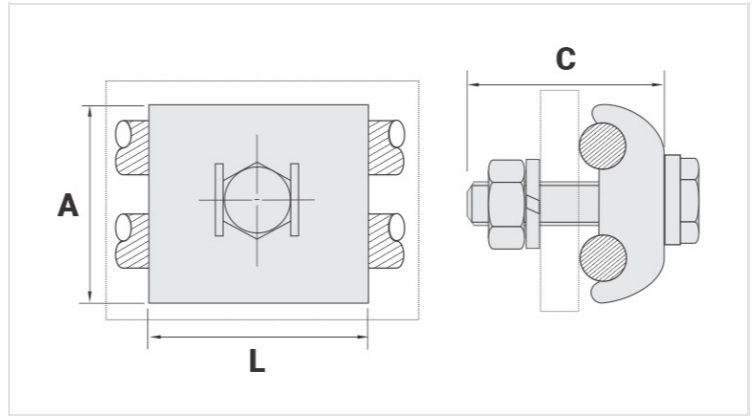
Characteristics: Tightening connection. Electrical conductivity and corrosion resistant. Two conductors model. Screw length suitable for plate / bar thickness up to 7mm.

Application: Grounding systems in general (power distribution systems, grounding grids, residential, building, industrial grounding, grounding in telecommunications networks).

Material: Bronze clamp, fittings in copper alloy or hot galvanized steel.

Application Tool: Spanner set or open-ended wrench.

*Also available tin plated.



Datasheet

Conductor

AWG/MCM

2/0 - 250

mm²

70 - 120

Dimensions (mm)

L

41,0

A

54,0

C

50,0

Parafuso - E

M12

Figura

2

Package

Qtd / Emb

15

Peso Unit. (g)

241,00